



Actual product appearance may vary.

GKE Series, Dual Entry Key-Operated Safety Interlock Switch, 2NC Direct Opening, Slow Action, 20 mm, Plastic, Silver Contacts

Features

- Positive opening safety contacts
- Multiple contact configurations
- Rotating head allows actuator engagement from five orientations
- Double insulation per IEC 60947-5-1
- Choice of two standard actuators
- Small size
- Global approvals (cULus, CE, CCC)

Potential Applications

- Plastic molding equipment
- Packaging machinery
- Semiconductor manufacturing equipment
- Woodworking machinery
- Metal converting equipment
- Printing/paper finishing equipment

Description

The GKE Series safety key-operated switch provides superior reliability for safety hard guarding applications in a compact, cost-effective package. The GKE conforms to IEC 60947-5-1 and carries the cULus, CE, and CCC approvals.

| Product Specifications | |
|------------------------|--------------------------------------|
| Product Type | Key Operated Safety Interlock Switch |
| Actuator | Key |
| Switch Type | 2NC Direct Opening, Slow Action |
| Contact Material | Silver |
| Termination Type | 20 mm |
| Ampere Rating | 100 mA to 10 A (Thermal) |
| Voltage | 500 Vac and 250 Vdc Maximum |
| Housing Material | Plastic |
| Housing Type | EN50047 |
| Series Name | GKE |
| Shock | 50 g per IEC 68-2-27 |

| | |
|--------------------------------|--|
| Vibration | 10 g per IEC 68-2-6 |
| Sealing | IP66, NEMA 1, 12, 13 |
| Approvals | cULus, CE, CCC |
| CSA File # | E37138 |
| UL File # | E37138, E157416 |
| Agency Approvals and Standards | IEC 947-5-1, EN60947-5-1 |
| Mechanical Life | 1 Million |
| Operating Temperature Range | -25 °C to 85 °C [-13 °F to 185 °F] |
| Availability | Global |
| UNSPSC Code | 302119 |
| UNSPSC Commodity | 302119 Switches and controls and relays |
| Note 1 | Low Voltage Directive 73/23/EEC, as amended by directive 93/68/EEC. Machinery Directive 98/37/EEC only as the directives relate to the components being used in a safety function. |

HONEYWELL
PART NUMBER
GKE SERIES CHART 1

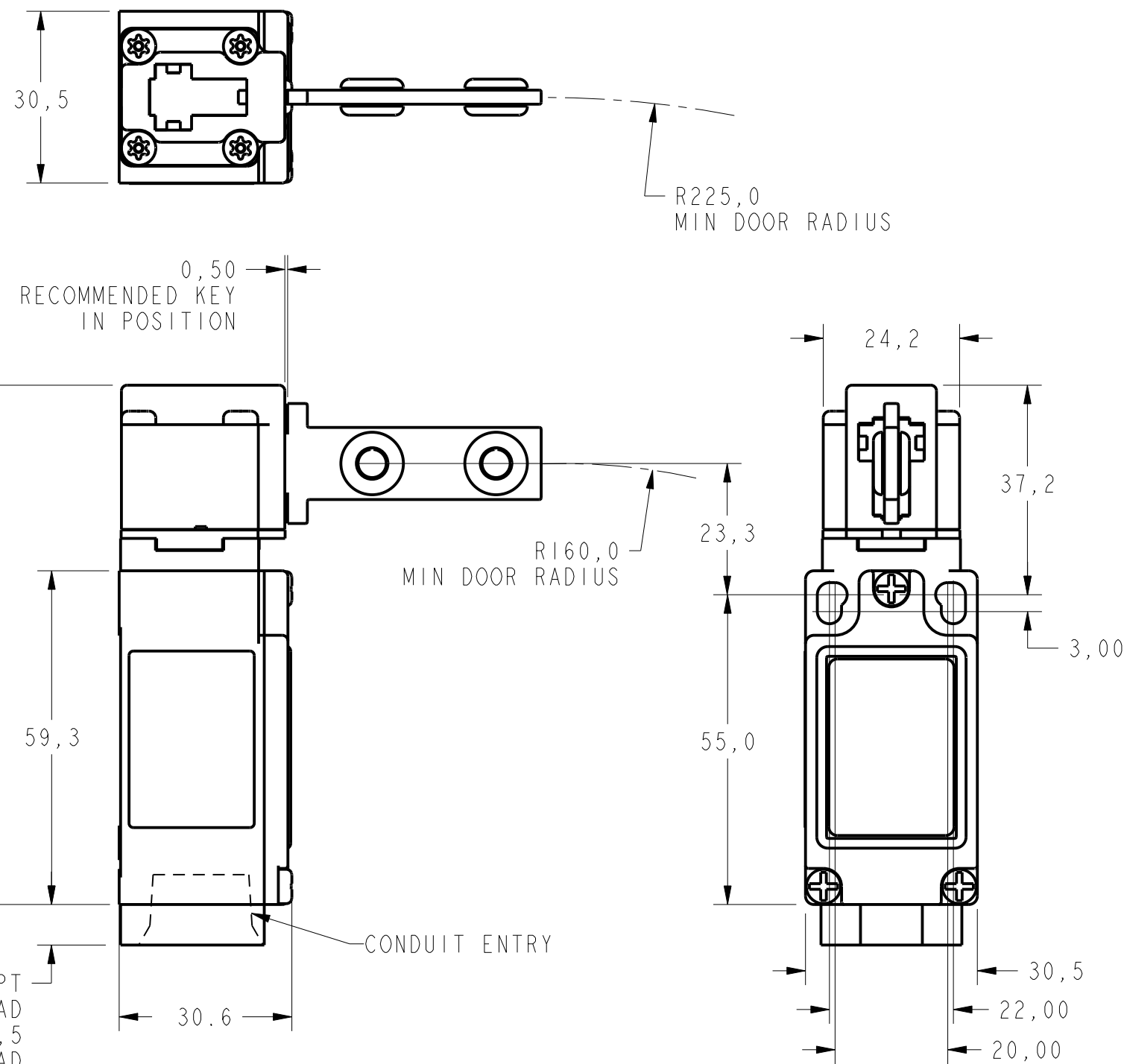
GKE

| REV | DOCUMENT | CHANGED BY | CHECK |
|-----|----------|-------------|-------|
| B | 0016724 | TSG 08NOV05 | RJ |

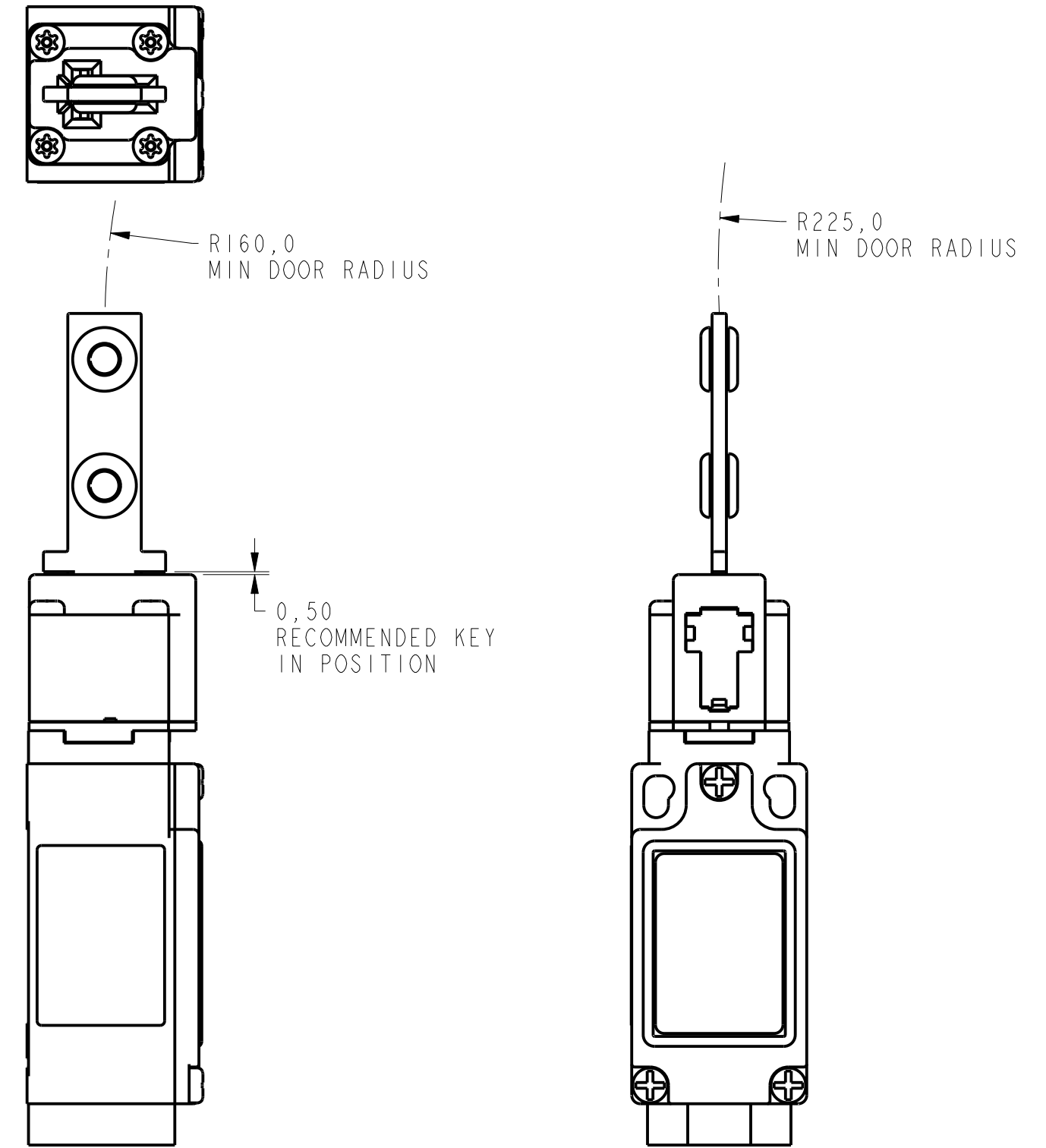
NOTES

- 1 - THERMOPLASTIC BODY AND HEAD
 - 2 - MINIMUM OPERATING VELOCITY (V_{min}) = 2 mm/S
MAXIMUM OPERATING VELOCITY (V_{max}) = 200 mm/S
MAXIMUM OPERATING FREQUENCY (F_{max}) = 100 OPS/MIN
 - 3 - INSERTION FORCE = 7N NOM
EXTRACTION FORCE = 15N NOM
DISCONNECT FORCE = 25N MAX
 - 4 - SNAP ACTION N.C. CONTACTS: POSITIVE OPENING
SLOW MAKE AND BREAK N.C. CONTACTS: DIRECT ACTING
 - 5 - WHEN KEY IS INSERTED: N.C. TERMINALS ARE 11/12 AND/OR 21/22
N.O. TERMINALS ARE 13/14
- 6 - SEE BASIC SWITCH COLUMN FOR VOLTAGE RATING
- 7 - T-15 TAMPER PROOF TORX DRIVER BIT GKZT15BIT MAY BE PURCHASED SEPARATELY FOR USE IN REORIENTING OPERATING HEAD, SEE INSTALLATION INSTRUCTIONS
- 8 - SWITCH MUST OPERATE BEFORE REACHING MINIMUM INSERTION DISTANCE
- 9 - KEY ACTUATOR NOT SUPPLIED WITH PRODUCT, ACTUATOR MUST BE PURCHASED SEPARATELY
- 10 - RECOMMENDED TIGHTENING TORQUE FOR MOUNTING SCREW : 1 - 1,4 Nm
- 11 - ENCLOSURE DOUBLE INSULATED TO IEC 536 CLASS II

| CONDUIT CODE | | BASIC SWITCH CODE ⁶ | | HEAD ORIENTATION CODE | |
|--------------|---------|--------------------------------|---------------------------------|-----------------------|--------------------------|
| CODE | | CODE | | CODE | |
| A | 1/2 NPT | 01 | SNAP ACTION INC - INO, A600 | L | OPENING TO FRONT AND TOP |
| C | 20 MM | 03 | SLOW ACTING INC - INO BBM, A600 | M | OPENING TO RIGHT AND TOP |
| | | 06 | SLOW ACTING 2NC, A500 | N | OPENING TO BACK AND TOP |
| | | | | P | OPENING TO LEFT AND TOP |



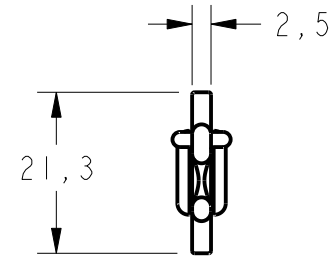
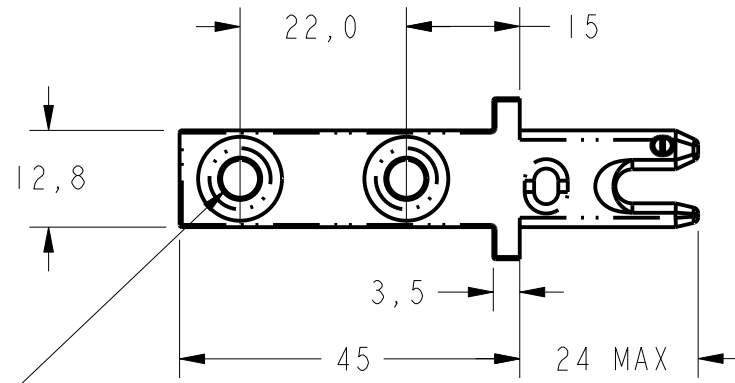
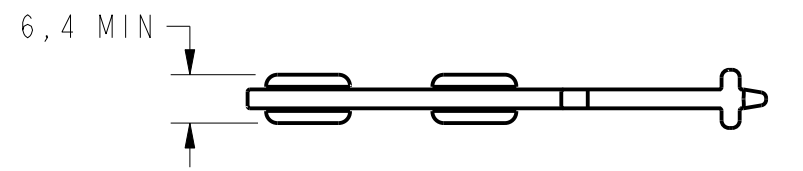
FRONT ENTRY



TOP ENTRY

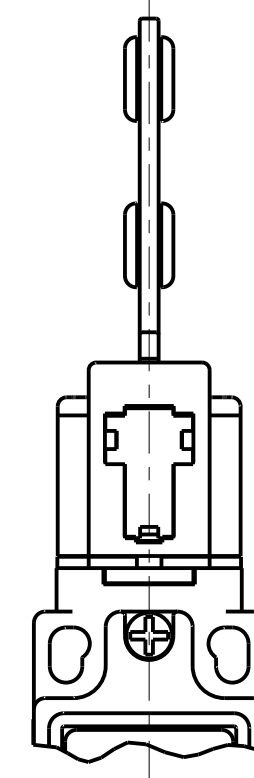
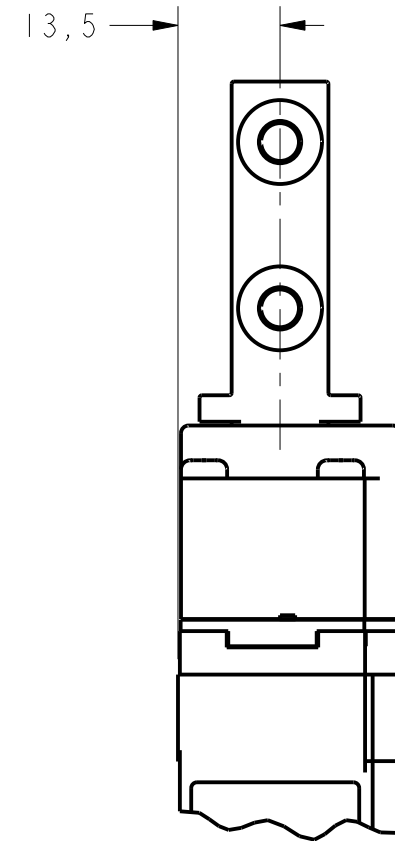
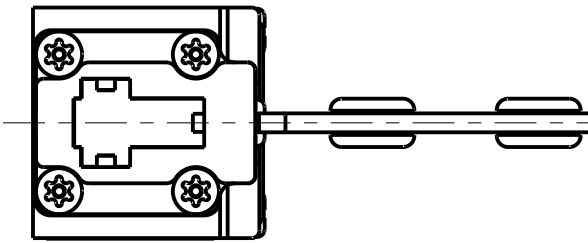
| ELECTRICAL RATING | | | | ENVIRONMENTAL | | APPROVALS |
|-----------------------------|---------------|---------------|---------------|------------------------|---|---------------|
| AC | | DC | | IP 66 NEMA 1, 12 & 13 | TEMP RANGE: -25°C TO 85°C | IEC 60947-5-1 |
| A500/A600 $U_e/\sqrt{6}$ | AC15 I_e | Q300 U_e | DC13 I_e | | | |
| (VOLTS) | (AMPS) | (VOLTS) | (AMPS) | STORAGE: -40°C TO 85°C | SHOCK: 50G PER IEC 68-2-27 VIBRATION: 10G PER IEC 68-2-6 | |
| 120 | 6 | 24 | 2.8 | | | |
| 240 | 3 | 125 | .55 | | | |
| 380 | 1.9 | 250 | .27 | | | |
| 480 | 1.5 | | | | | |
| 500 | 1.4 | | | | | |
| 600 | 1.2 | | | | | |
| ITH = 10A | | | | | | |

| | | | | | | | |
|---------------------------|--|-----|-----------|-----------------------|----------|---------------------------|----------|
| DESIGN UNITS: MM | DRAWN | MAM | 23 JUN 05 | | | | |
| TOLERANCES UNLESS NOTED: | CHECK | - | 23 JUN 05 | | | | |
| NO PLACE .X ± 1,000 | THIS DRAWING COVERS A PROPRIETARY ITEM AND IS THE PROPERTY OF HONEYWELL. THIS DRAWING IS NOT TO BE COPIED OR USED WITHOUT THE PERMISSION OF HONEYWELL. | | | TITLE | | | |
| ONE PLACE .X ± 0,4 | | | | SWITCH, KEY INTERLOCK | | | |
| TWO PLACE .XX ± 0,15 | | | | SIZE | TYPE | DRAWING NAME | REV |
| THREE PLACE .XXX ± 0,005 | | | | C | I | GKE SERIES CHART 1 | B |
| FOUR PLACE .XXXX ± 0,0050 | | | | SCALE | FULL | SHEET | 1 OF 3 |
| ANGLES X ± 3 | Pro/ENGINEER 3D | | | | | | |

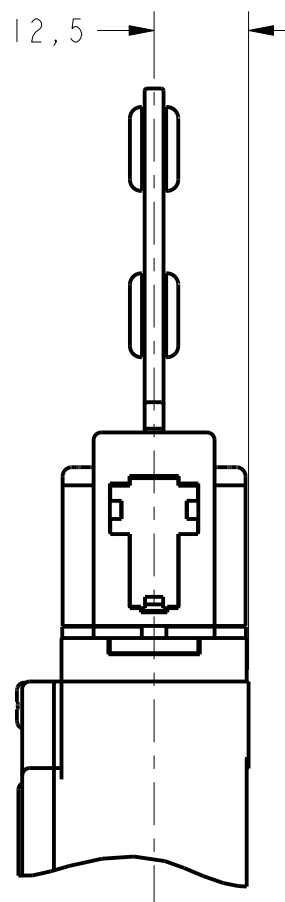
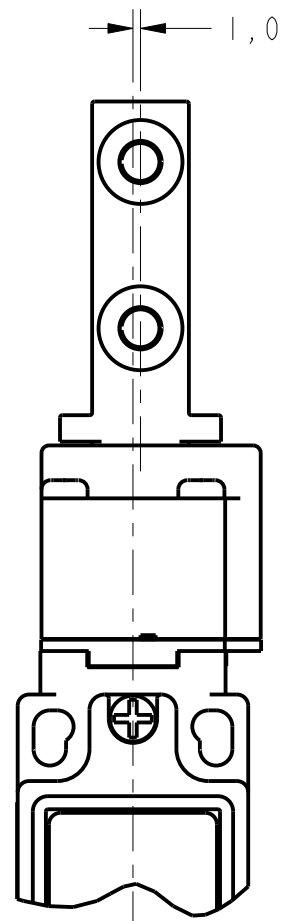
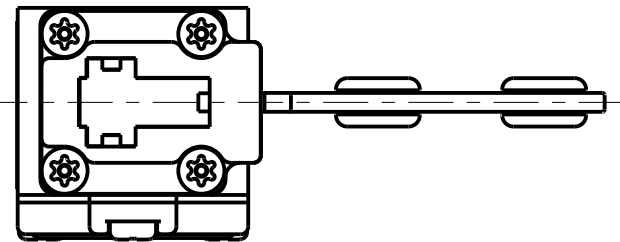


2X HOLES FOR M4 OR #8 SCREWS $\triangle 10$

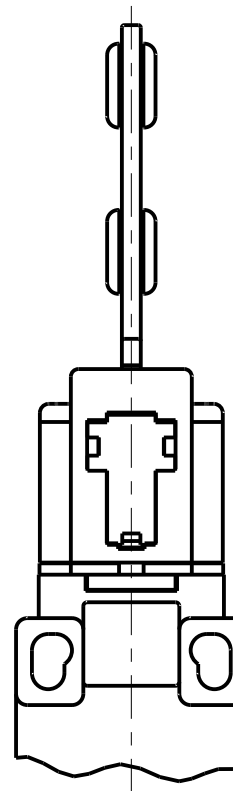
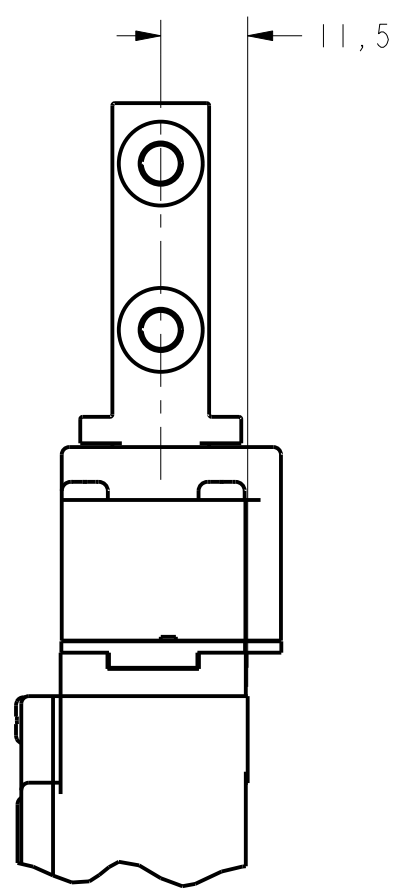
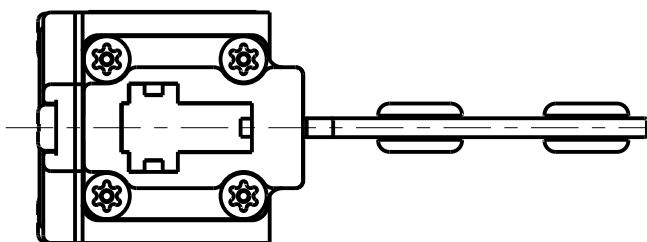
ACTUATOR GKZ51M $\triangle 9$
STRAIGHT KEY
 (STAINLESS STEEL)



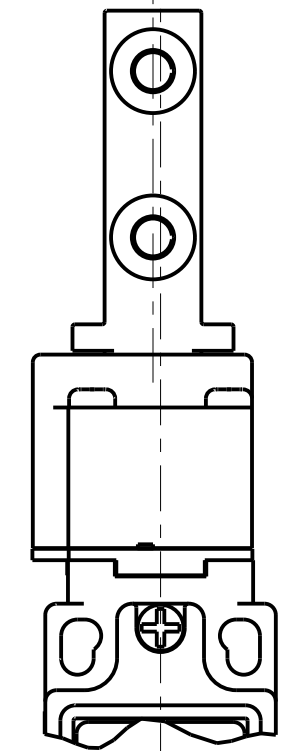
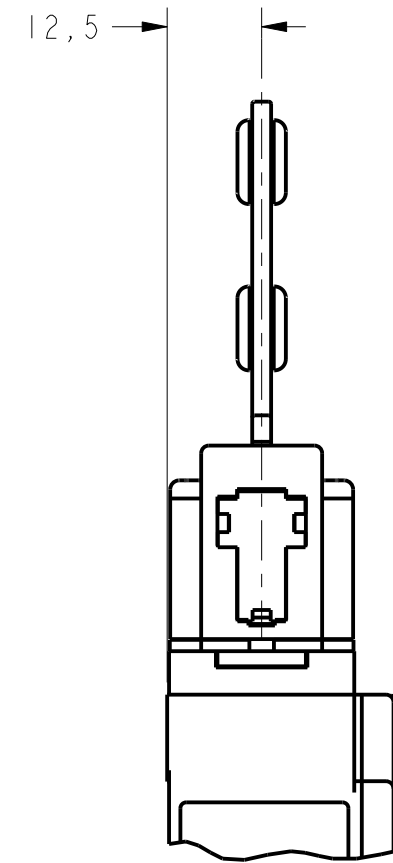
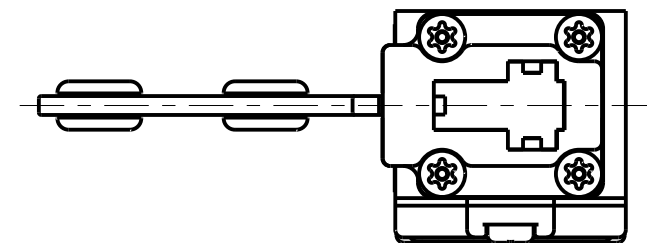
HEAD ORIENTATION CODE L



HEAD ORIENTATION CODE M



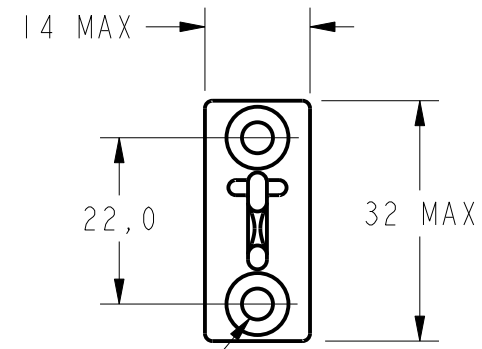
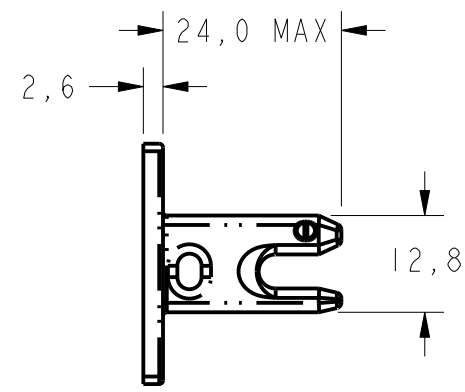
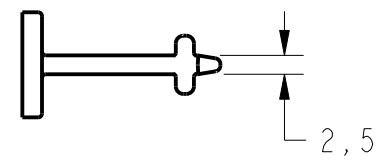
HEAD ORIENTATION CODE N



HEAD ORIENTATION CODE P

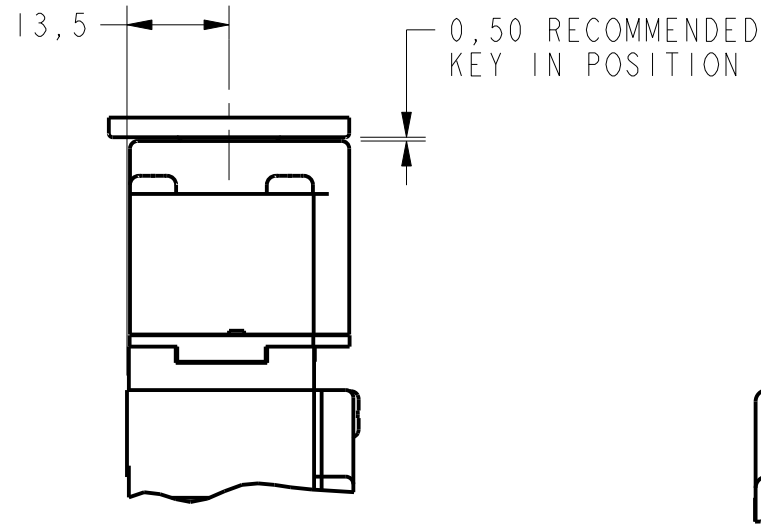
THIS DRAWING COVERS A PROPRIETARY ITEM AND IS THE PROPERTY OF HONEYWELL. THIS DRAWING IS NOT TO BE COPIED OR USED WITHOUT THE PERMISSION OF HONEYWELL.

| | | | |
|------------------|----------|---------------------------|----------|
| Honeywell | | | |
| SIZE | DWG TYPE | DRAWING NAME | REV |
| C | I | GKE SERIES CHART 1 | B |
| SCALE | FULL | SHEET | 2 OF 3 |

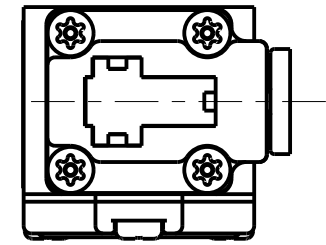


2X HOLES FOR M4 OR #8
COUNTERSUNK SCREW
WITH 45° COUNTERSINK
X ∇ 2,1 \triangle 10

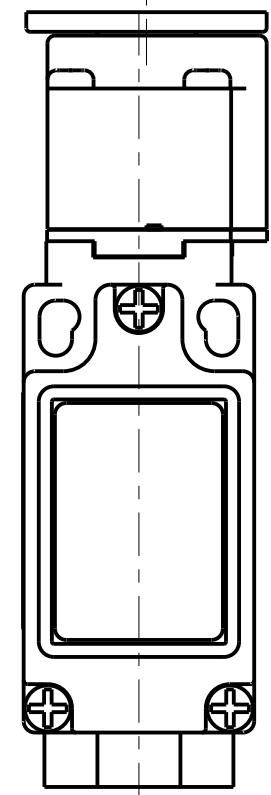
ACTUATOR GKZ52M \triangle 9
90° KEY
(STAINLESS STEEL)



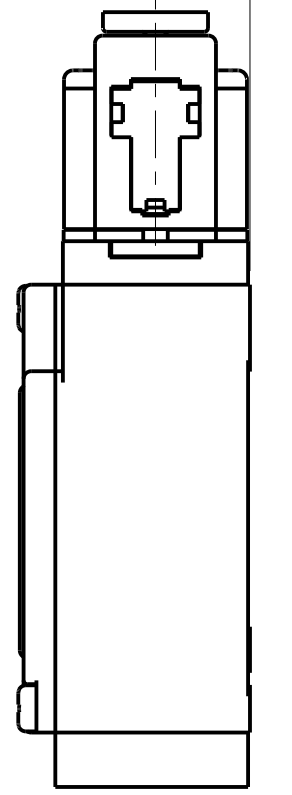
HEAD ORIENTATION CODE L



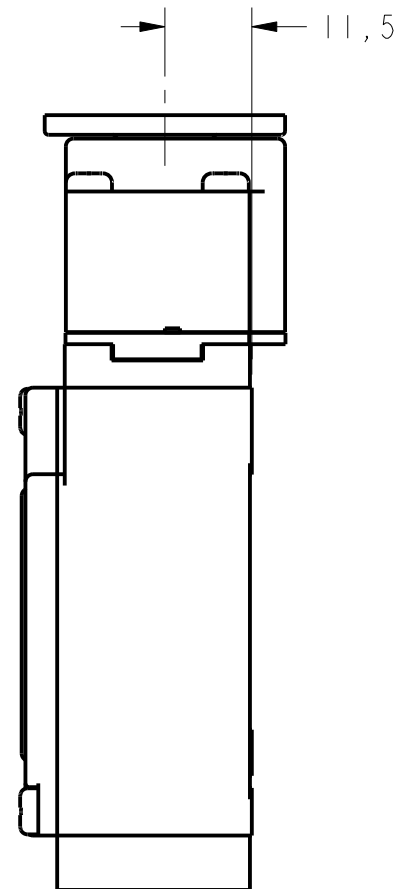
1,0



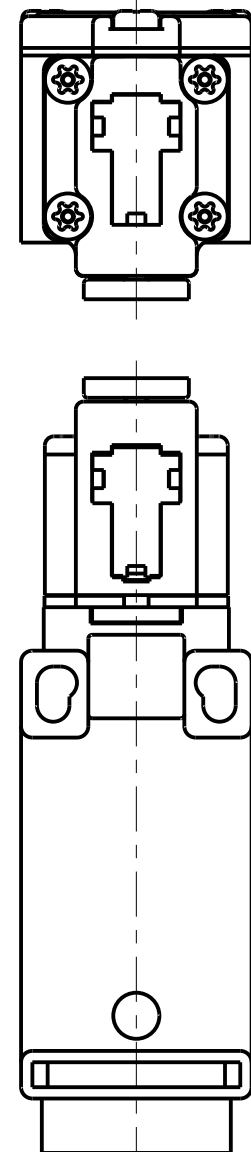
12,5



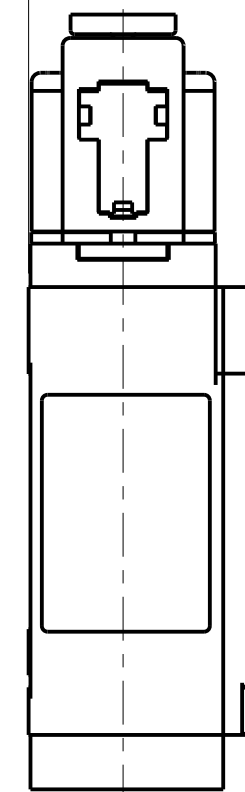
HEAD ORIENTATION CODE M



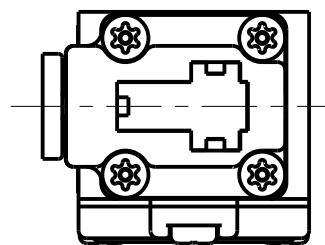
HEAD ORIENTATION CODE N



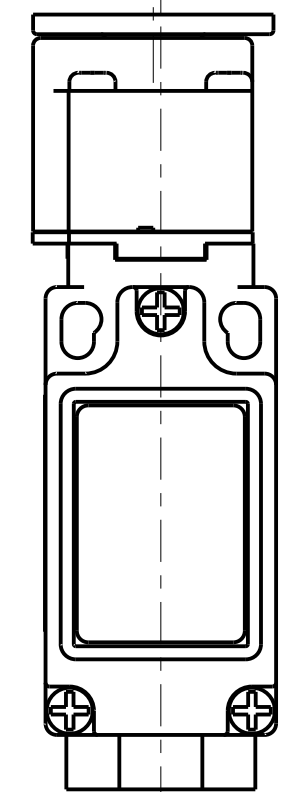
12,5



HEAD ORIENTATION CODE P



1,0



THIS DRAWING COVERS A PROPRIETARY
ITEM AND IS THE PROPERTY OF
HONEYWELL. THIS DRAWING IS
NOT TO BE COPIED OR USED WITHOUT
THE PERMISSION OF HONEYWELL.

| | | | |
|------------------|----------|---------------------------|----------|
| Honeywell | | | |
| SIZE | DWG TYPE | DRAWING NAME | REV |
| C | I | GKE SERIES CHART 1 | B |
| SCALE | FULL | SHEET | 3 OF 3 |